

SEIDEL MONTAGE - BATEAU TYR

Ihr Allrounder in Burgund & Franche-Comté



Boat Electric System Calculator

Generator	Shore Power
2 kw	3,6 kw
230 V	230 V
9 A	16 A

N 46,7762 O 5,5254
Saint Jean de Losne FR
flat on Boat

see the running time of the generator or motor per day to compensate for the lack of energy

Charger/Alternator
12,8 V
40 A 61,2
512 W

Photovoltaik
360 W
12,8 V
28,1 A CC max.

see how long the charging time for an empty battery is at 50%

6,1	H Charge	8,7
-----	----------	-----

Day	Mt.	Av. Wh D	Ext. C. H
-9,8	Jan.	237,60	1,4
-3,5	Feb.	451,80	1,0
-0,4	März	819,72	0,2
0,7	April	1135,44	-0,5
0,9	mai	1247,87	-0,7
1,3	Juni	1446,12	-1,1
1,2	juli	1406,88	-1,0
0,8	aug.	1211,04	-0,6
0,2	sept.	963,00	-0,3
-1,9	Okt.	590,04	0,7
-7,3	Nov.	292,68	1,3
-11,8	Dez.	206,28	1,5

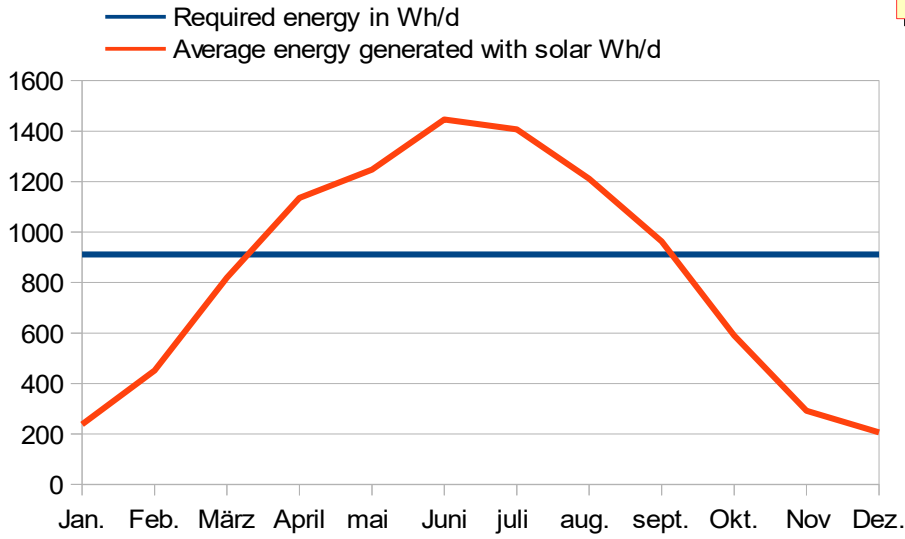
the result of the calculation of the usable battery capacity

Batteries		
	Parallel	Seriel
102 AH	3	1
12,8 V		
306 AH TI.		3916,8 Wh
12,8 V Syst.		80 %
244,8 Ah Usbl.		3133,44 Wh
D indep.	3,4	

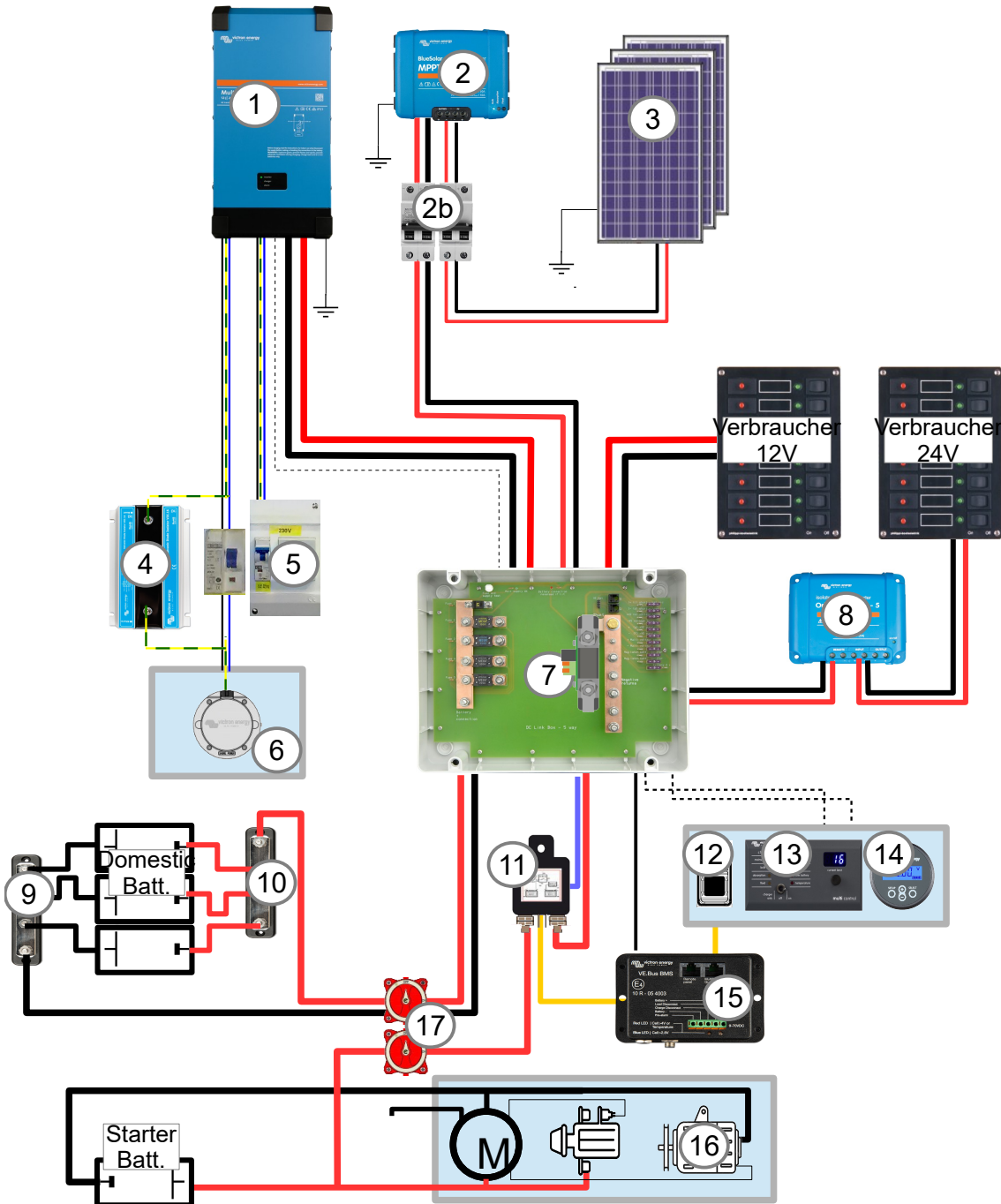
Consumers				
	W	Days Wk	Hours	Wh-Wk
Coffemaschine	1600	7	0,08	896
Hoover	1400	1	0,25	350
Frigo	60	7	6	2520
Ligth	20	7	5	700
Stereo/PC/TV	60	7	3	1260
Pumpes	50	7	0,25	87,5
Standby	10	7	24	0
Total Wh d	830,50			
Required energy in Wh/d	911,89			
Charger	0			
Max. W / A 12-24/230V	3190	249	14	

the result of the calculation of your consumption per week

To calculate the cable cross-section to the battery, you can see the maximum ampere used here.



Shema Ship „Triton“



- 1. Victron Multiplus Inverter/Charger
- 2. Victron MPPT Solarladeregler
- 3. Photovoltaikpanel
- 4. Victron Galvanische Erd/Massetrennung
- 5. AC Sicherungs/Verteilerkasten
- 6. Landsanschluss
- 7. Victron ESP DC Verteiler

- 8. Victron DC 12/24V Converter
- 9. Minus Batterie Sammelschiene
- 10. Plus Batterie Sammelschiene
- 11. Victron Cyrix LI/ct Batterkoppler
- 12. Ladebegrenzungsschalter
- 13. Victron Multicontrol Inverter Charg.
- 14. Victron Batteriemonitor

- 15. Victron VE-Bus BMS
- 16. Alternator
- 17. Batterie Hauptschalter